

**TSC**

**THE  
SHEETMETAL  
COMPANY**

# Table of Contents

Intro.....	3-5	Box Gutter.....	19
Skirt.....	6	Conductor Head.....	20
Pin-on.....	7	Pitch Pan.....	21
Gravel Guard.....	8	Pitch Roof Vent.....	22
L-Trim.....	9	Flat Roof Vent.....	23
J-Trim.....	10	Square to Round.....	24
Roll Off.....	11	Door Pan.....	25
Ridge Cap Res.....	12	Window Pan.....	26
Ridge Cap Comm.....	13	Chimney Cap.....	27
Valley.....	14	Scuppers.....	28-31
Eave.....	15	Belt Guards.....	32
D&L.....	16	Custom Designs.....	33
Pitch D&L.....	17	SMACNA Standards.	34
Wall Cap.....	18		

**TSC** THE SHEETMETAL COMPANY  
7380 Fairview Houston, Texas 77041-2106  
Phone: (713) 983-8777 Fax: (713) 937-4653

**CATALOG**

SHEET  
2 OF 34

# 20 YEARS OF SUCCESSFUL SERVICE

## METALS IN STOCK:

GALVANIZED.....28GA - 10GA  
GALVALUME.....24GA  
PRE - FINISHED.....24GA  
PAINT GRIP.....24GA - 26GA  
STAINLESS STEEL...26GA - 22GA  
ALUMINUM.....032 - .063  
COPPER.....16OZ  
TPO/PVC/KEE CLAD

WE MANUFACTURE BY  
**SMACNA** STANDARDS.  
SOME OF THE COMMON  
STANDARDS CAN BE  
FOUND AT THE BACK OF  
THIS CATALOG. PLEASE  
SPECIFY IF YOUR PART  
WILL NOT FOLLOW THIS  
STANDARD.

## FABRICATION ONLY, NO INSTALLATION

### WELDING AND FABRICATION

OUR CUSTOM SHOP IS WELL-SUITED FOR SMALL TO MEDIUM  
PRODUCTION RUNS OF LIGHT TO MEDIUM (16GA - 1/2")  
STRUCTURAL COMPONENTS (I-BEAMS, CHANNELS, Z'S, ANGLES,  
TUBING, COLUMNS, PIPE, FLAT SHEETS, ETC).

**TSC** THE SHEETMETAL COMPANY  
7380 Fairview Houston, Texas 77041-2106  
Phone: (713) 983-8777 Fax: (713) 937-4653

# CATALOG

SHEET  
3 OF 34

# CUSTOM SHEETMETAL



LOUVERS



AWNINGS

BELT GUARDS



COPPER CHIMNEY CAPS

**TSC** THE SHEETMETAL COMPANY  
7380 Fairview Houston, Texas 77041-2106  
Phone: (713) 983-8777 Fax: (713) 937-4653

CATALOG

SHEET  
4 OF 34

2



1

# CUSTOM FABRICATION



B

B

ROOF ANCHORS, ROOFTOP EQUIPMENT, BOXES,  
LIGHT TO MEDIUM DUTY CUSTOM WORK



A

A

**TSC** THE SHEETMETAL COMPANY  
 7380 Fairview Houston, Texas 77041-2106  
 Phone: (713) 983-8777 Fax: (713) 937-4653

## CATALOG

SHEET  
5 OF 34

2



1

SKIRT

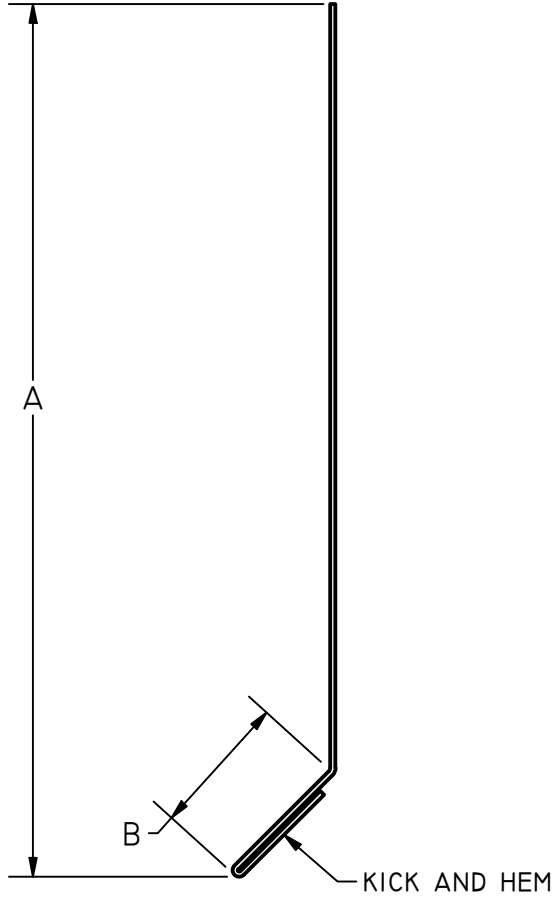
2

1

B

B

QUANTITY:  
 \_\_\_\_\_ TOTAL FT



FINISH:

- GALVANIZED
- PRE-FINISHED

COLOR: \_\_\_\_\_

- PAINT GRIP
- GALVALUME

OR

- STAINLESS
- ALUMINUM
- COPPER

DIMENSIONS:

A \_\_\_\_\_

B \_\_\_\_\_

STRETCH OUT:

\_\_\_\_\_ IN

NOTES:

\_\_\_\_\_  
 \_\_\_\_\_  
 \_\_\_\_\_  
 \_\_\_\_\_

GAUGE:

- 22
- 24
- 26
- 28

**TSC** THE SHEETMETAL COMPANY  
 7380 Fairview Houston, Texas 77041-2106  
 Phone: (713) 983-8777 Fax: (713) 937-4653

CATALOG

SHEET  
6 OF 34

2

1

A

A

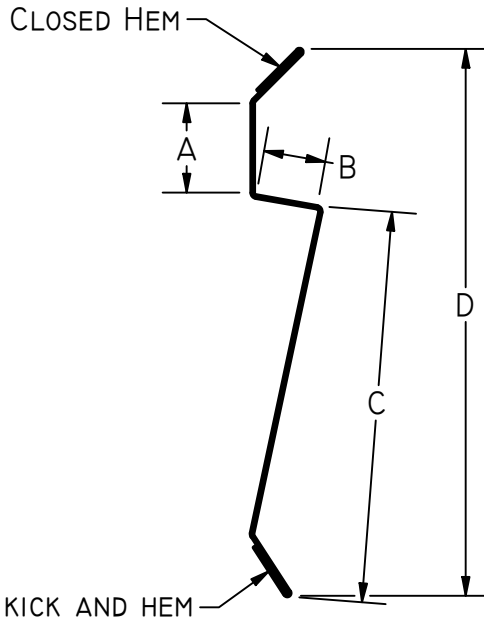
4

2



1

# PIN ON



QUANTITY: \_\_\_\_\_

TOTAL FT \_\_\_\_\_

**\*\*SPECIFY COLOR SIDE\*\***

B

B



### FINISH:

- GALVANIZED
- PRE-FINISHED

COLOR: \_\_\_\_\_

- PAINT GRIP
- GALVALUME

OR

- STAINLESS
- ALUMINUM
- COPPER

### DIMENSIONS:

A \_\_\_\_\_ C \_\_\_\_\_

B \_\_\_\_\_ D \_\_\_\_\_

STRETCH OUT:  
\_\_\_\_\_ IN

### NOTES:

\_\_\_\_\_

\_\_\_\_\_

\_\_\_\_\_

\_\_\_\_\_

A

A

### GAUGE:

- 22
- 24
- 26
- 28

**TSC** THE SHEETMETAL COMPANY  
 7380 Fairview Houston, Texas 77041-2106  
 Phone: (713) 983-8777 Fax: (713) 937-4653

# CATALOG

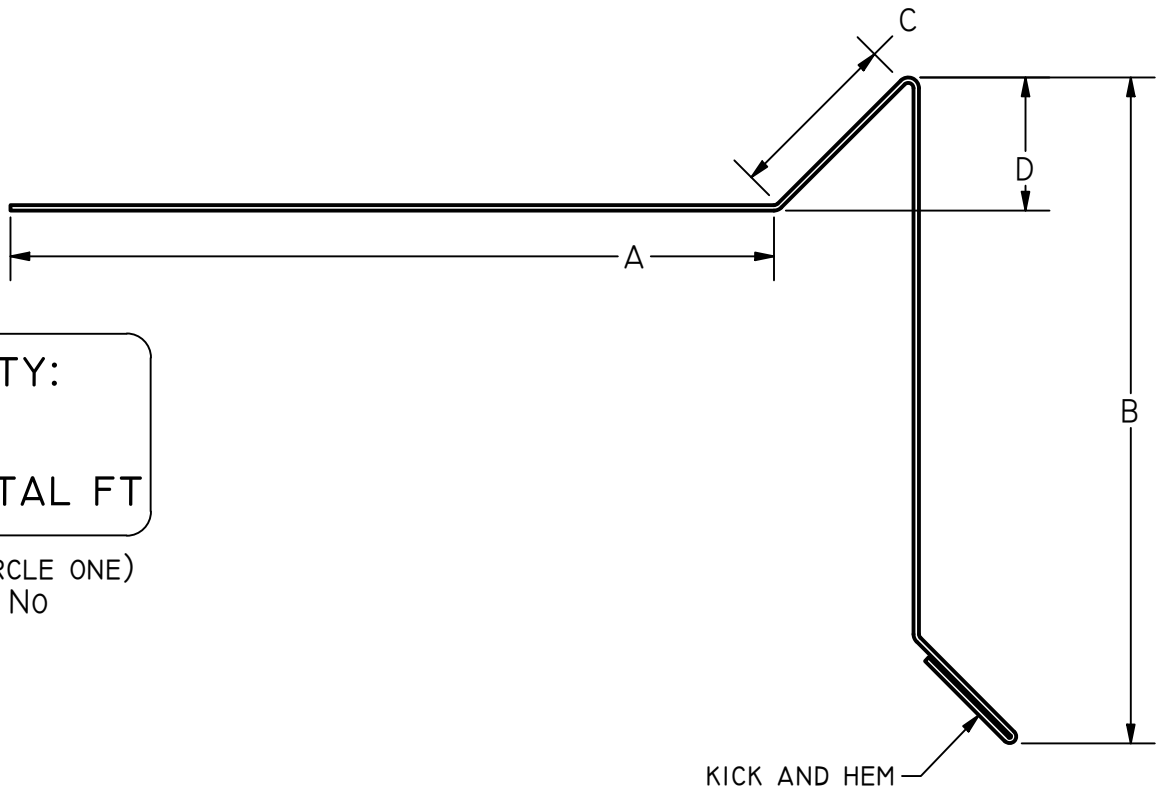
SHEET  
7 OF 34

2



1

# GRAVEL GUARD



QUANTITY:  
 \_\_\_\_\_ TOTAL FT

CLEAT? (CIRCLE ONE)  
 YES / NO

FINISH:

GALVANIZED  
 PRE-FINISHED

COLOR: \_\_\_\_\_

PAINT GRIP  
 GALVALUME

OR

STAINLESS  
 ALUMINUM  
 COPPER

DIMENSIONS:

A \_\_\_\_\_ C \_\_\_\_\_

B \_\_\_\_\_ D \_\_\_\_\_

STRETCH OUT:  
 \_\_\_\_\_ IN

NOTES:

\_\_\_\_\_  
 \_\_\_\_\_  
 \_\_\_\_\_  
 \_\_\_\_\_

GAUGE:

22  
 24  
 26  
 28

**TSC** THE SHEETMETAL COMPANY  
 7380 Fairview Houston, Texas 77041-2106  
 Phone: (713) 983-8777 Fax: (713) 937-4653

**CATALOG**

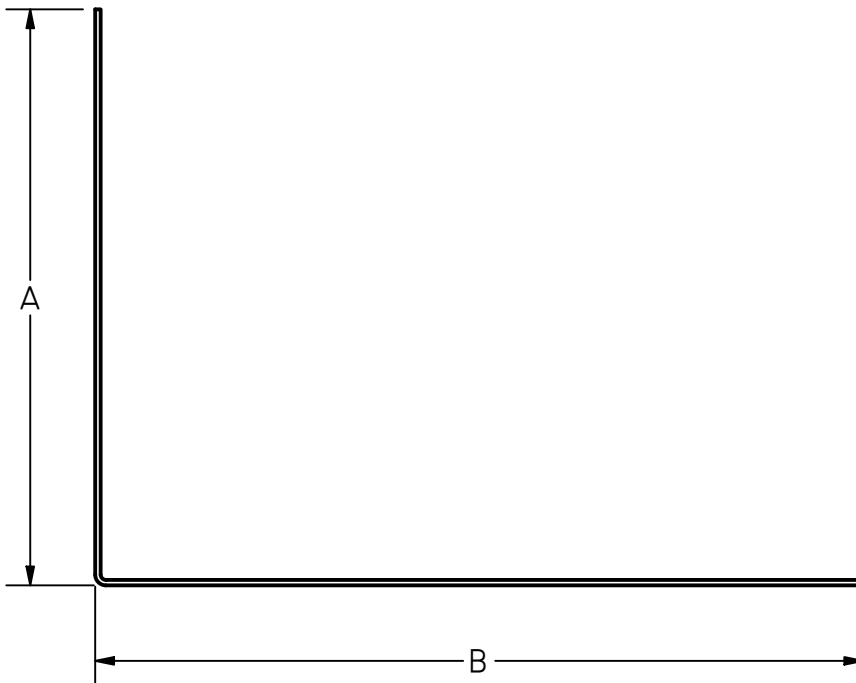
SHEET  
 8 OF 34



L-TRIM

QUANTITY:

\_\_\_\_ TOTAL FT



FINISH:

- GALVANIZED
- PRE-FINISHED

COLOR: \_\_\_\_\_

- PAINT GRIP
- GALVALUME

OR

- STAINLESS
- ALUMINUM
- COPPER

DIMENSIONS:

A \_\_\_\_\_

B \_\_\_\_\_

STRETCH OUT:  
\_\_\_\_\_ IN

NOTES:

\_\_\_\_\_  
 \_\_\_\_\_  
 \_\_\_\_\_  
 \_\_\_\_\_

GAUGE:

- 22
- 24
- 26
- 28

**TSC** THE SHEETMETAL COMPANY  
 7380 Fairview Houston, Texas 77041-2106  
 Phone: (713) 983-8777 Fax: (713) 937-4653

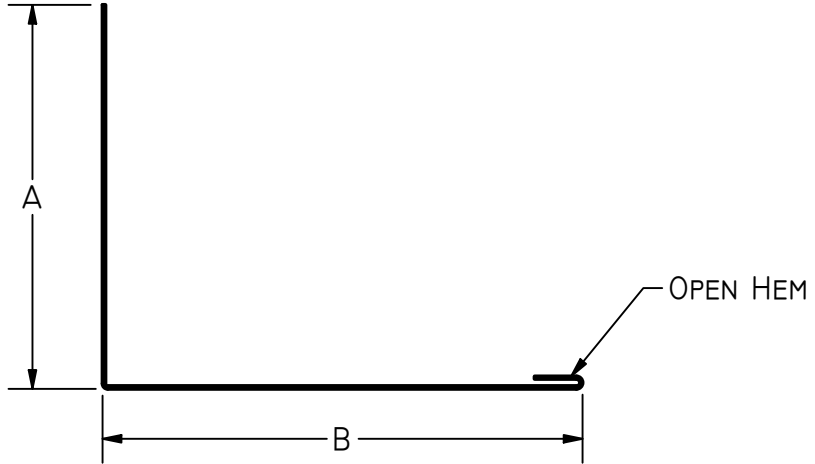
CATALOG

SHEET  
9 OF 34

# J-TRIM

QUANTITY:

\_\_\_\_\_ TOTAL FT



## FINISH:

- GALVANIZED
- PRE-FINISHED

COLOR: \_\_\_\_\_

- PAINT GRIP
- GALVALUME

OR

- STAINLESS
- ALUMINUM
- COPPER

## DIMENSIONS:

A \_\_\_\_\_

B \_\_\_\_\_

STRETCH OUT:  
\_\_\_\_\_ IN

## NOTES:

\_\_\_\_\_  
 \_\_\_\_\_  
 \_\_\_\_\_  
 \_\_\_\_\_

## GAUGE:

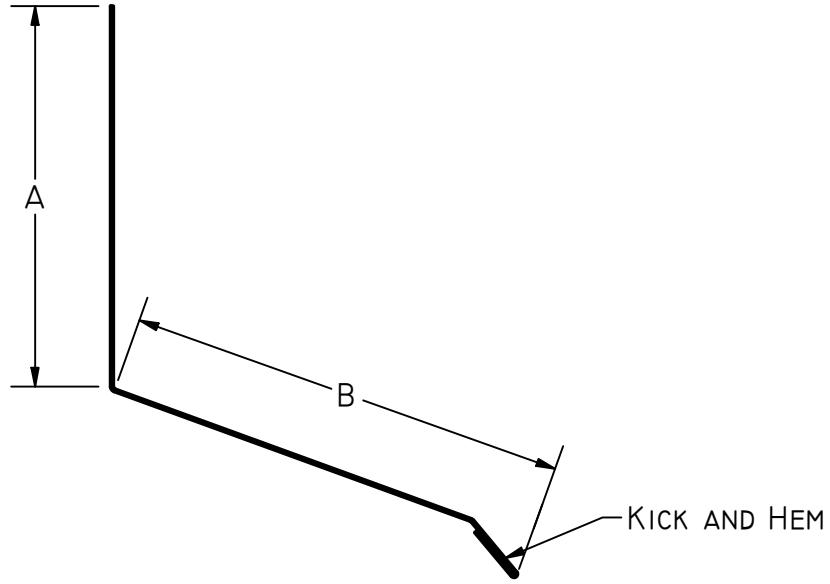
- 22
- 24
- 26
- 28

**TSC** THE SHEETMETAL COMPANY  
 7380 Fairview Houston, Texas 77041-2106  
 Phone: (713) 983-8777 Fax: (713) 937-4653

# CATALOG

SHEET  
10 OF 34

ROLL OFF



**TSC** THE SHEETMETAL COMPANY  
7380 Fairview Houston, Texas 77041-2106  
Phone: (713) 983-8777 Fax: (713) 937-4653

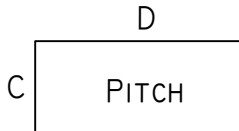
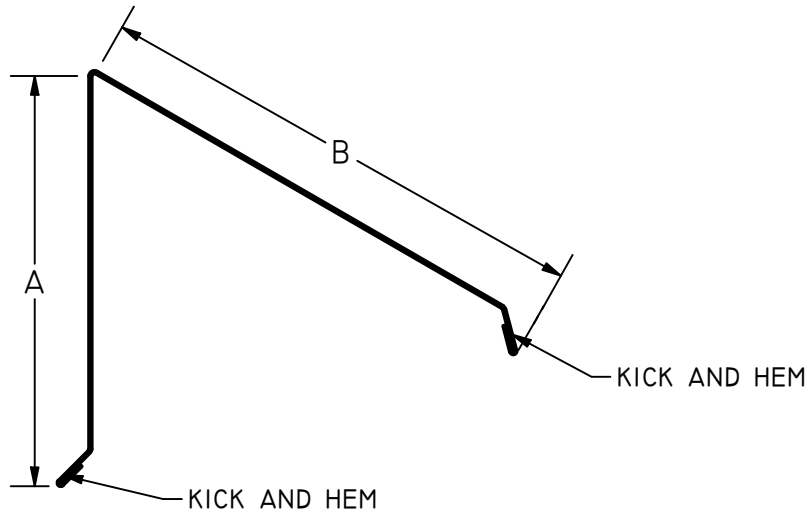
CATALOG

SHEET  
11 OF 34

# RIDGE CAP (RESIDENTIAL)

QUANTITY:

\_\_\_\_\_ TOTAL FT



**FINISH:**

- GALVANIZED
- PRE-FINISHED

COLOR: \_\_\_\_\_

- PAINT GRIP
- GALVALUME

OR

- STAINLESS
- ALUMINUM
- COPPER

**DIMENSIONS:**

A \_\_\_\_\_ C \_\_\_\_\_

B \_\_\_\_\_ D \_\_\_\_\_

STRETCH OUT:  
\_\_\_\_\_ IN

**NOTES:**

\_\_\_\_\_  
\_\_\_\_\_  
\_\_\_\_\_  
\_\_\_\_\_

**GAUGE:**

- 22
- 24
- 26
- 28

**TSC THE SHEETMETAL COMPANY**  
7380 Fairview Houston, Texas 77041-2106  
Phone: (713) 983-8777 Fax: (713) 937-4653

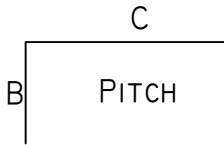
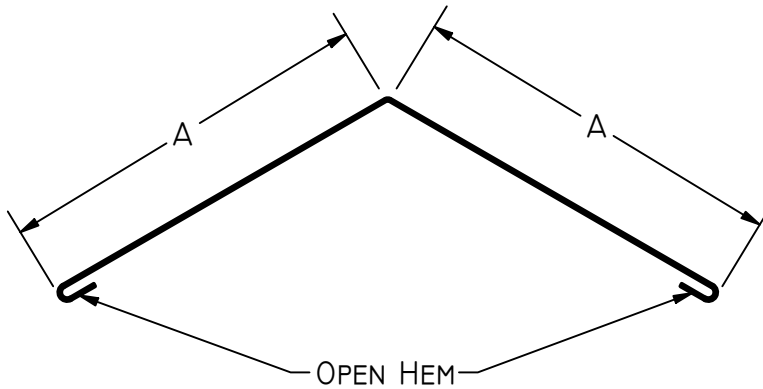
**CATALOG**

SHEET  
12 OF 34

# RIDGE CAP (COMMERCIAL)

QUANTITY:

\_\_\_\_\_ TOTAL FT



FINISH:

- GALVANIZED
- PRE-FINISHED

COLOR: \_\_\_\_\_

- PAINT GRIP
- GALVALUME

OR

- STAINLESS
- ALUMINUM
- COPPER

DIMENSIONS:

A \_\_\_\_\_

B \_\_\_\_\_

C \_\_\_\_\_

STRETCH OUT:

\_\_\_\_\_ IN

NOTES:

\_\_\_\_\_  
 \_\_\_\_\_  
 \_\_\_\_\_  
 \_\_\_\_\_

GAUGE:

- 22
- 24
- 26
- 28



**THE SHEETMETAL COMPANY**

7380 Fairview Houston, Texas 77041-2106

Phone: (713) 983-8777 Fax: (713) 937-4653

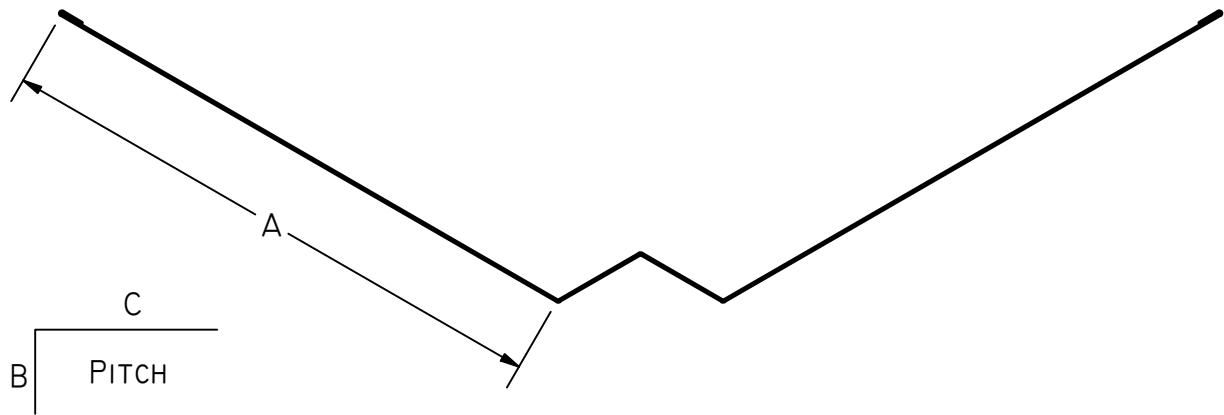
## CATALOG

SHEET  
13 OF 34

VALLEY

QUANTITY:

\_\_\_\_ TOTAL FT



FINISH:

- GALVANIZED
- PRE-FINISHED

COLOR: \_\_\_\_\_

- PAINT GRIP
- GALVALUME

OR

- STAINLESS
- ALUMINUM
- COPPER

DIMENSIONS:

A \_\_\_\_\_

B \_\_\_\_\_

C \_\_\_\_\_

STRETCH OUT:

\_\_\_\_\_ IN

NOTES:

\_\_\_\_\_  
 \_\_\_\_\_  
 \_\_\_\_\_  
 \_\_\_\_\_

GAUGE:

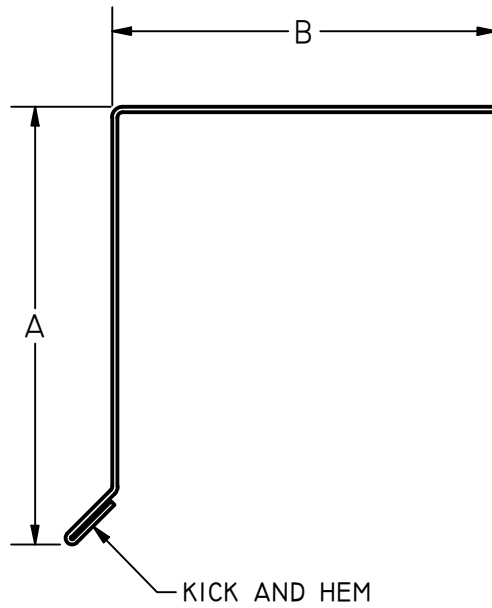
- 22
- 24
- 26
- 28

**TSC** THE SHEETMETAL COMPANY  
 7380 Fairview Houston, Texas 77041-2106  
 Phone: (713) 983-8777 Fax: (713) 937-4653

CATALOG

SHEET  
14 OF 34

# EAVE METAL



QUANTITY: \_\_\_\_\_  
TOTAL FT \_\_\_\_\_

## FINISH:

- GALVANIZED
- PRE-FINISHED

COLOR: \_\_\_\_\_

- PAINT GRIP
- GALVALUME
- TPO/PVC/KEE
- STAINLESS
- ALUMINUM
- COPPER

## DIMENSIONS:

A \_\_\_\_\_

B \_\_\_\_\_

STRETCH OUT:  
\_\_\_\_\_ IN

## NOTES:

\_\_\_\_\_  
\_\_\_\_\_  
\_\_\_\_\_  
\_\_\_\_\_

## GAUGE:

- 22
- 24
- 26
- 28



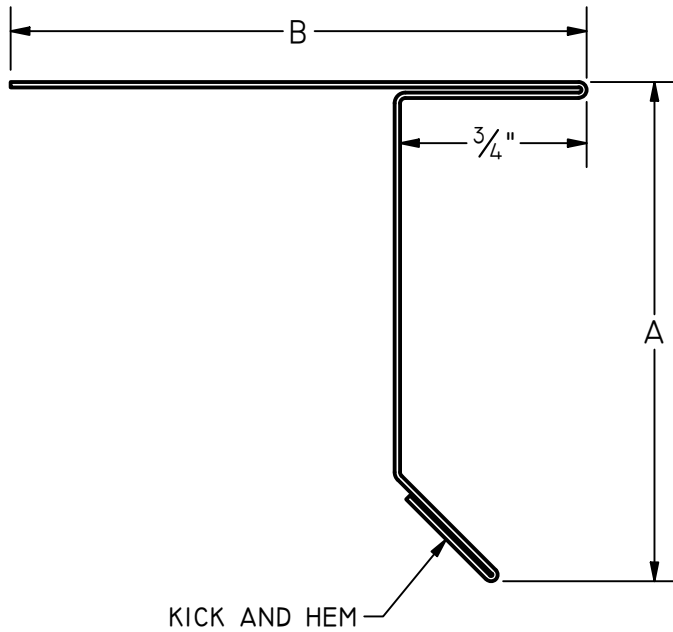
**THE SHEETMETAL COMPANY**

7380 Fairview Houston, Texas 77041-2106  
Phone: (713) 983-8777 Fax: (713) 937-4653

# CATALOG

SHEET  
15 OF 34

# D&L FLASHING



QUANTITY:

\_\_\_\_ TOTAL FT

## FINISH:

- GALVANIZED
- PRE-FINISHED

COLOR: \_\_\_\_\_

- PAINT GRIP
- GALVALUME

OR

- STAINLESS
- ALUMINUM
- COPPER

## DIMENSIONS:

A \_\_\_\_\_

B \_\_\_\_\_

STRETCH OUT:

\_\_\_\_\_ IN

## NOTES:

\_\_\_\_\_  
\_\_\_\_\_  
\_\_\_\_\_  
\_\_\_\_\_

## GAUGE:

- 22
- 24
- 26
- 28



**THE SHEETMETAL COMPANY**

7380 Fairview

Houston, Texas 77041-2106

Phone: (713) 983-8777

Fax: (713) 937-4653

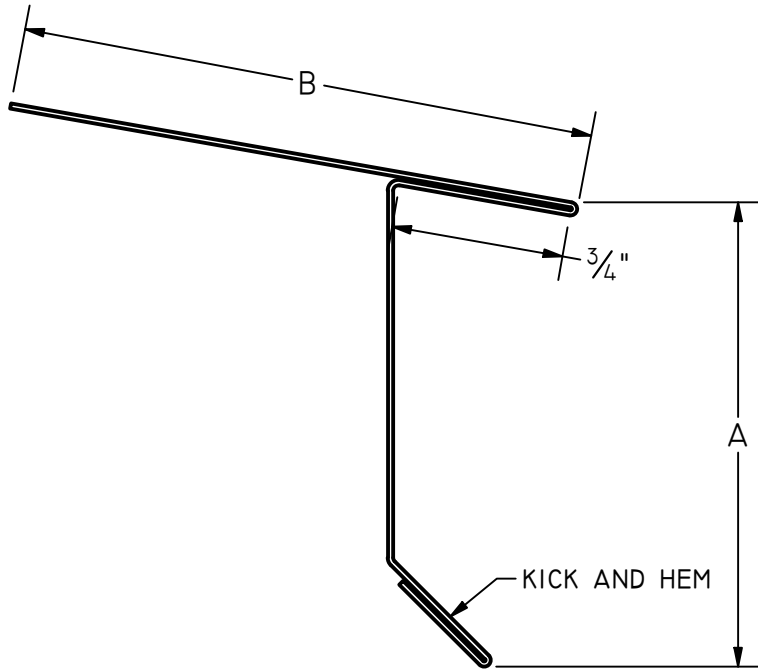
# CATALOG

SHEET

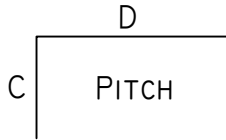
16 OF 34



# PITCH D&L FLASHING



QUANTITY:  
 \_\_\_\_\_ TOTAL FT



## FINISH:

- GALVANIZED
- PRE-FINISHED

COLOR: \_\_\_\_\_

- PAINT GRIP
- GALVALUME

OR

- STAINLESS
- ALUMINUM
- COPPER

## DIMENSIONS:

A \_\_\_\_\_ C \_\_\_\_\_

B \_\_\_\_\_ D \_\_\_\_\_

STRETCH OUT:  
 \_\_\_\_\_ IN

## NOTES:

\_\_\_\_\_  
 \_\_\_\_\_  
 \_\_\_\_\_  
 \_\_\_\_\_

## GAUGE:

- 22
- 24
- 26
- 28

**TSC** THE SHEETMETAL COMPANY  
 7380 Fairview Houston, Texas 77041-2106  
 Phone: (713) 983-8777 Fax: (713) 937-4653

# CATALOG

SHEET  
 17 OF 34

# WALL CAP

2

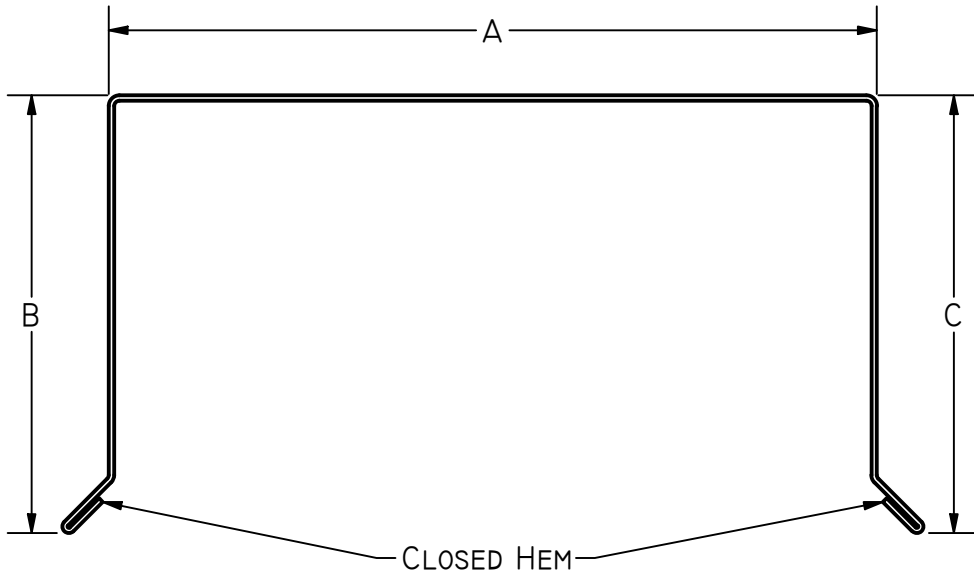
1

B

B

QUANTITY:

\_\_\_\_\_ TOTAL FT



## FINISH:

- GALVANIZED
- PRE-FINISHED

COLOR: \_\_\_\_\_

- PAINT GRIP
- GALVALUME

OR

- STAINLESS
- ALUMINUM
- COPPER

## DIMENSIONS:

A \_\_\_\_\_

B \_\_\_\_\_

C \_\_\_\_\_

STRETCH OUT:

\_\_\_\_\_ IN

## NOTES:

\_\_\_\_\_  
 \_\_\_\_\_  
 \_\_\_\_\_  
 \_\_\_\_\_

## GAUGE:

- 22
- 24
- 26
- 28

**TSC** THE SHEETMETAL COMPANY  
 7380 Fairview Houston, Texas 77041-2106  
 Phone: (713) 983-8777 Fax: (713) 937-4653

# CATALOG

SHEET  
18 OF 34

2

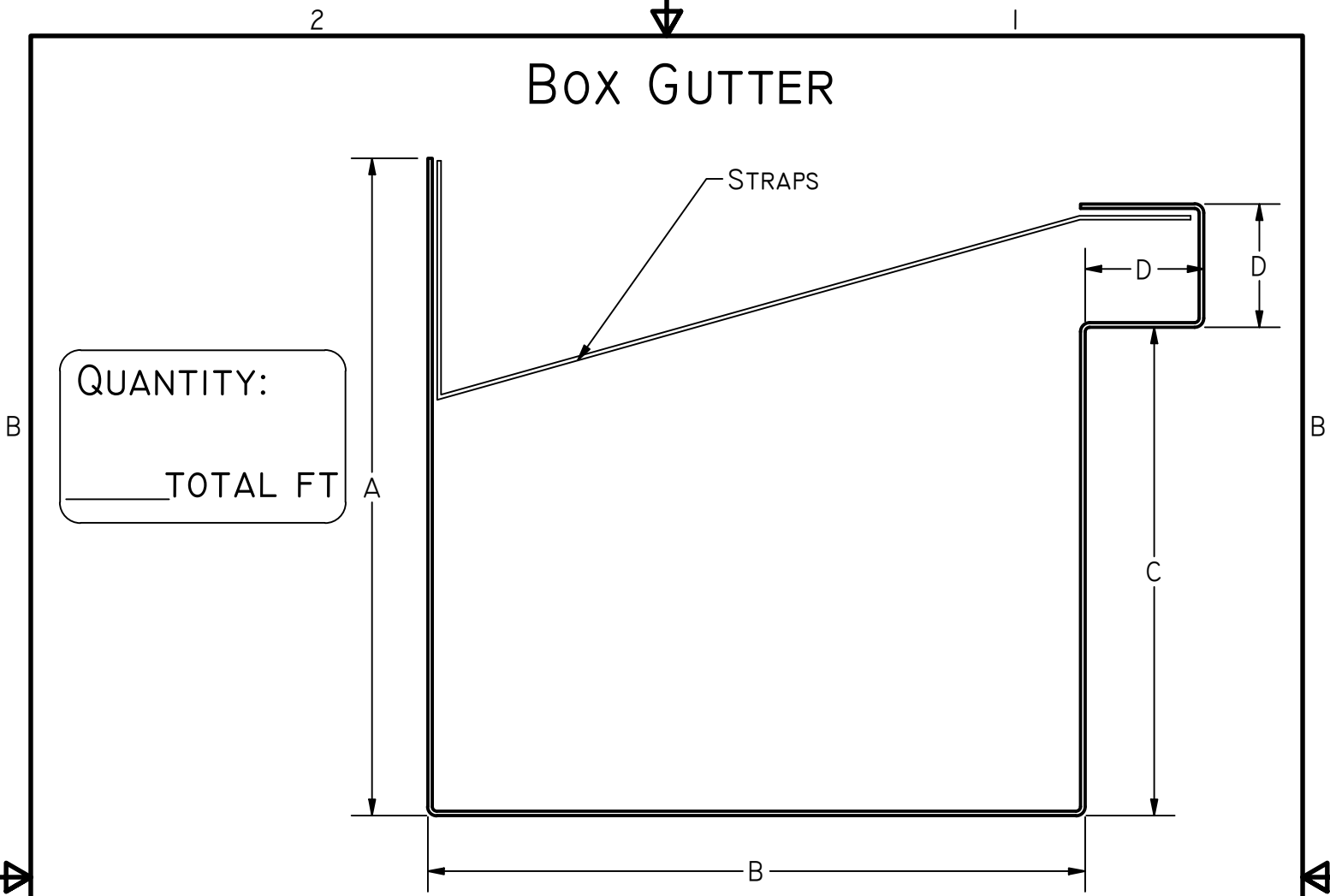
1

A

A



# BOX GUTTER



QUANTITY:  
 \_\_\_\_\_ TOTAL FT

## FINISH:

- GALVANIZED
- PRE-FINISHED

COLOR: \_\_\_\_\_

- PAINT GRIP
- GALVALUME

OR

- STAINLESS
- ALUMINUM
- COPPER

## DIMENSIONS:

A \_\_\_\_\_ C \_\_\_\_\_

B \_\_\_\_\_ D \_\_\_\_\_

STRETCH OUT:  
 \_\_\_\_\_ IN

## NOTES:

\_\_\_\_\_  
 \_\_\_\_\_  
 \_\_\_\_\_  
 \_\_\_\_\_

## GAUGE:

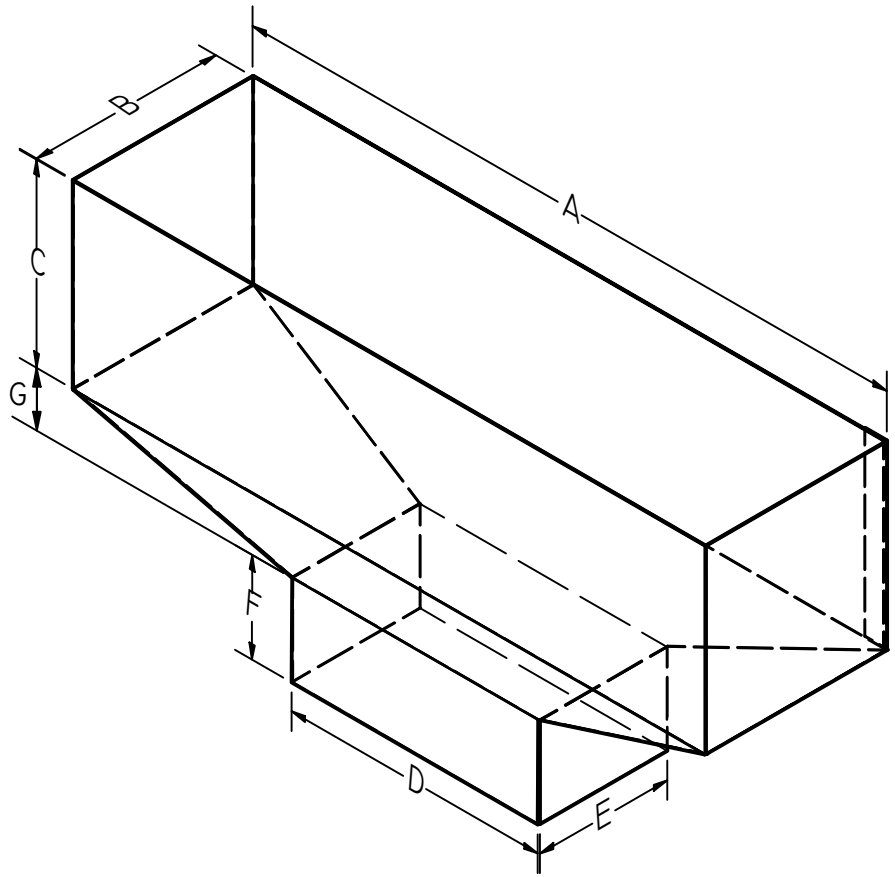
- 22
- 24
- 26
- 28

**TSC** THE SHEETMETAL COMPANY  
 7380 Fairview Houston, Texas 77041-2106  
 Phone: (713) 983-8777 Fax: (713) 937-4653

# CATALOG

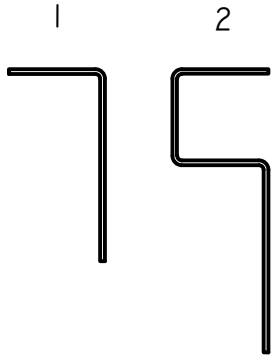
SHEET  
 19 OF 34

# CONDUCTOR BOX



QUANTITY:  
 \_\_\_\_\_ TOTAL

LIP STYLE:



FINISH:

- GALVANIZED
- PRE-FINISHED

COLOR: \_\_\_\_\_

- PAINT GRIP
- GALVALUME

OR

- STAINLESS
- ALUMINUM
- COPPER

DIMENSIONS:

A \_\_\_\_\_ D \_\_\_\_\_ G \_\_\_\_\_  
 B \_\_\_\_\_ E \_\_\_\_\_  
 C \_\_\_\_\_ F \_\_\_\_\_

LIP STYLE (CIRCLE ONE)  
 1                      2

NOTES:

\_\_\_\_\_  
 \_\_\_\_\_

GAUGE:

- 22
- 24
- 26
- 28

**TSC** THE SHEETMETAL COMPANY  
 7380 Fairview Houston, Texas 77041-2106  
 Phone: (713) 983-8777 Fax: (713) 937-4653

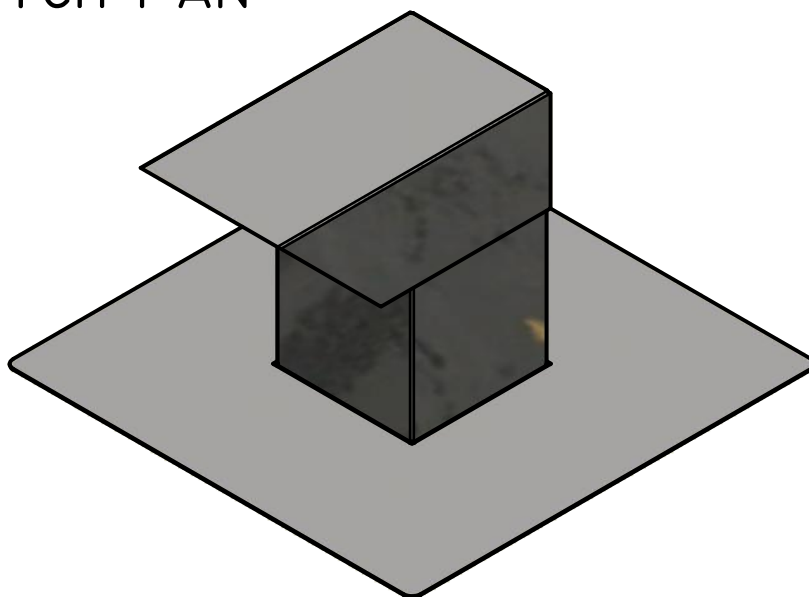
## CATALOG

SHEET  
 20 OF 34

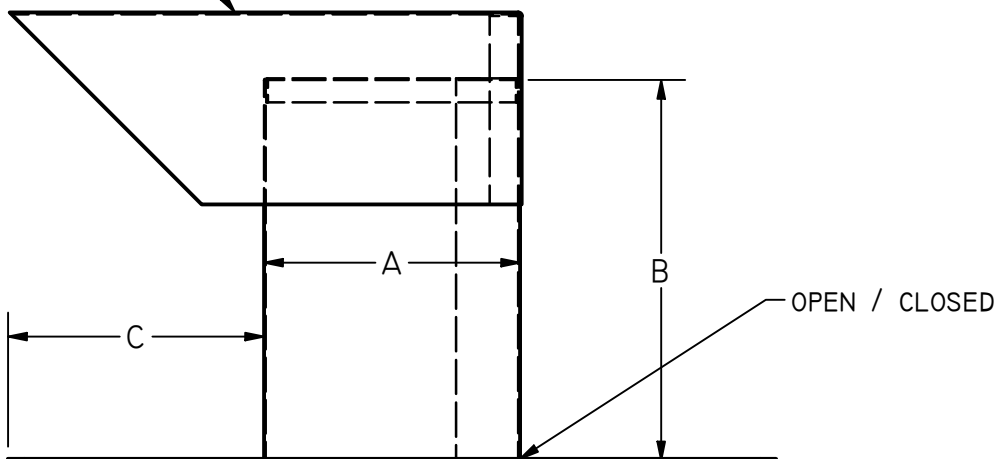
# PITCH PAN

QUANTITY:

\_\_\_\_ TOTAL



SELECT HAT BELOW



## FINISH:

- GALVANIZED
- PRE-FINISHED

COLOR: \_\_\_\_\_

- PAINT GRIP
- GALVALUME
- TPO/PVC/KEE
- STAINLESS
- ALUMINUM
- COPPER

## DIMENSIONS:

A \_\_\_\_\_ B \_\_\_\_\_  
 C \_\_\_\_\_

## HAT:

I-WAY      2-WAY

## NOTES:

\_\_\_\_\_  
 \_\_\_\_\_  
 \_\_\_\_\_  
 \_\_\_\_\_

## GAUGE:

- 22
- 24
- 26
- 28

**TSC** THE SHEETMETAL COMPANY  
 7380 Fairview Houston, Texas 77041-2106  
 Phone: (713) 983-8777 Fax: (713) 937-4653

# CATALOG

SHEET  
 21 OF 34

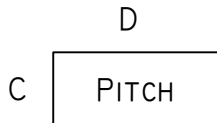
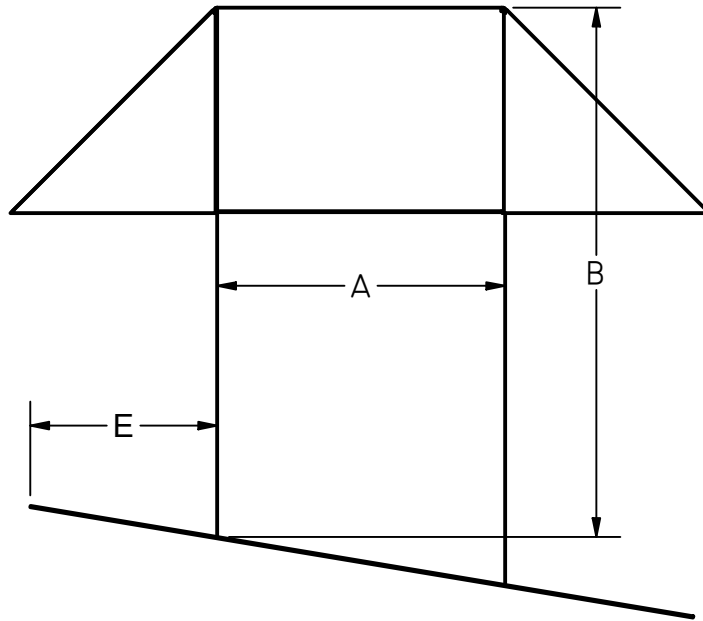
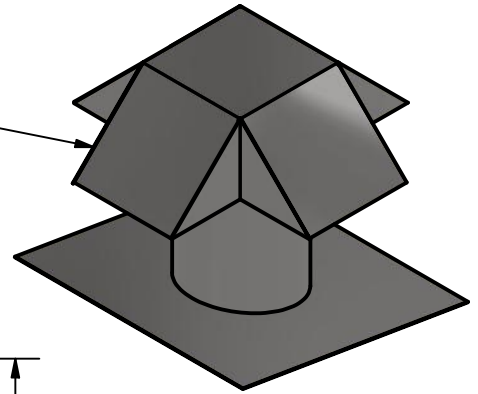
# PITCH ROOF VENT

QUANTITY:

\_\_\_\_ TOTAL

CAP?

Y / N



## FINISH:

- GALVANIZED
- PRE-FINISHED

COLOR: \_\_\_\_\_

- PAINT GRIP
- GALVALUME
- TPO/PVC/KEE
- STAINLESS
- ALUMINUM
- COPPER

## DIMENSIONS:

A \_\_\_\_\_ D \_\_\_\_\_

B \_\_\_\_\_ E \_\_\_\_\_

C \_\_\_\_\_

## NOTES:

\_\_\_\_\_  
 \_\_\_\_\_  
 \_\_\_\_\_  
 \_\_\_\_\_

## GAUGE:

- 22
- 24
- 26
- 28

**TSC** THE SHEETMETAL COMPANY  
 7380 Fairview Houston, Texas 77041-2106  
 Phone: (713) 983-8777 Fax: (713) 937-4653

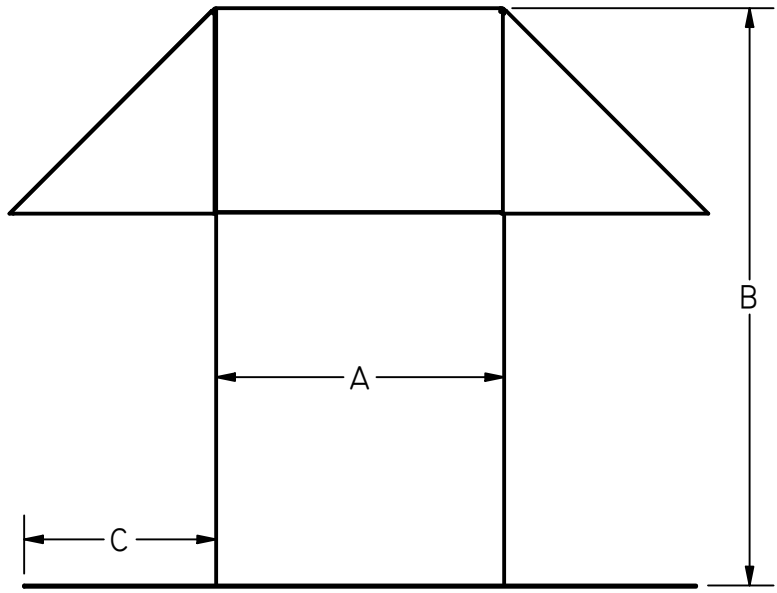
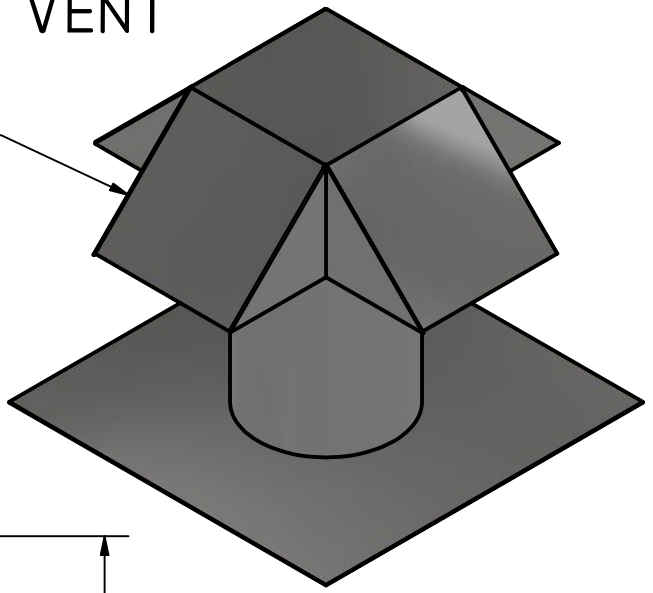
# CATALOG

SHEET  
 22 OF 34

# FLAT ROOF VENT

QUANTITY:  
 \_\_\_\_\_ TOTAL

CAP?  
 Y / N



## FINISH:

- GALVANIZED
- PRE-FINISHED

COLOR: \_\_\_\_\_

- PAINT GRIP
- GALVALUME
- TPO/PVC/KEE
- STAINLESS
- ALUMINUM
- COPPER

## DIMENSIONS:

A \_\_\_\_\_ C \_\_\_\_\_

B \_\_\_\_\_

## NOTES:

\_\_\_\_\_  
 \_\_\_\_\_  
 \_\_\_\_\_  
 \_\_\_\_\_

## GAUGE:

- 22
- 24
- 26
- 28

**TSC** THE SHEETMETAL COMPANY  
 7380 Fairview Houston, Texas 77041-2106  
 Phone: (713) 983-8777 Fax: (713) 937-4653

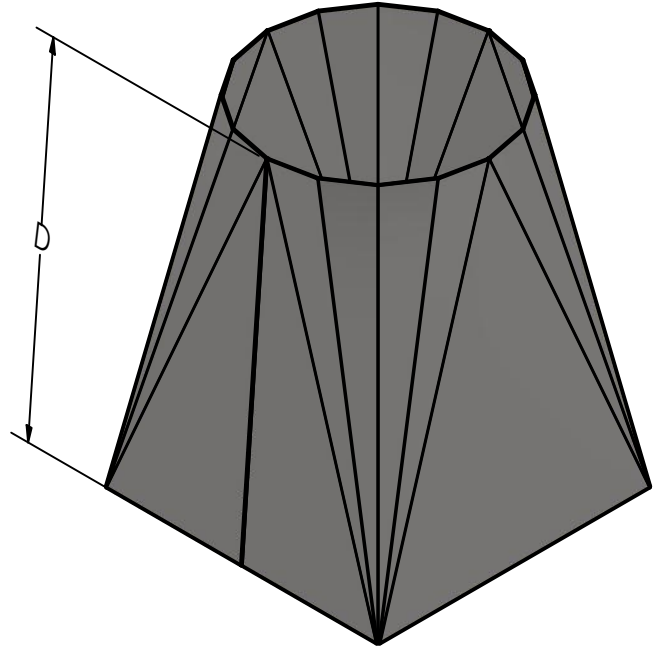
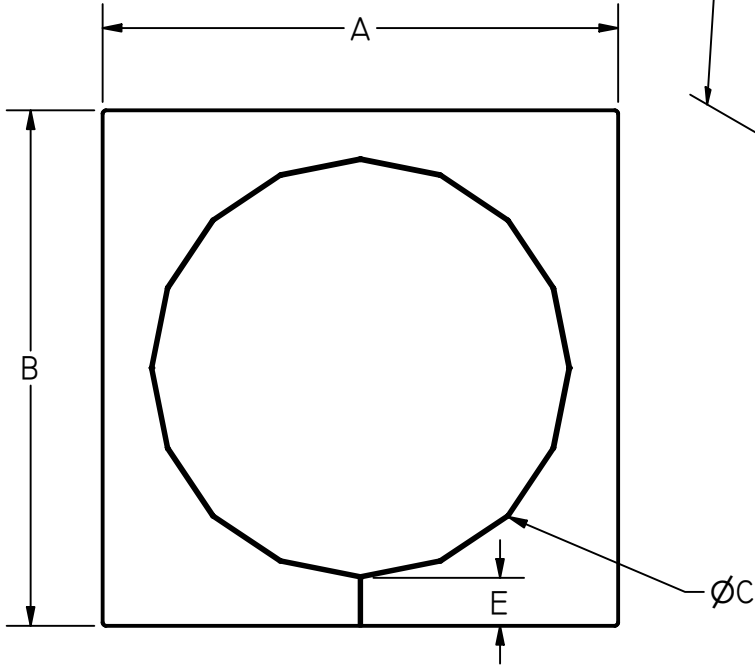
# CATALOG

SHEET  
 23 OF 34

# SQUARE TO ROUND

QUANTITY:

\_\_\_\_ TOTAL



## FINISH:

- GALVANIZED
- PRE-FINISHED

COLOR: \_\_\_\_\_

- PAINT GRIP
- GALVALUME

OR

- STAINLESS
- ALUMINUM
- COPPER

## DIMENSIONS:

A \_\_\_\_\_ D \_\_\_\_\_

B \_\_\_\_\_ E \_\_\_\_\_

C \_\_\_\_\_

## NOTES:

---



---



---



---

## GAUGE:

- 22
- 24
- 26
- 28

**TSC** THE SHEETMETAL COMPANY  
 7380 Fairview Houston, Texas 77041-2106  
 Phone: (713) 983-8777 Fax: (713) 937-4653

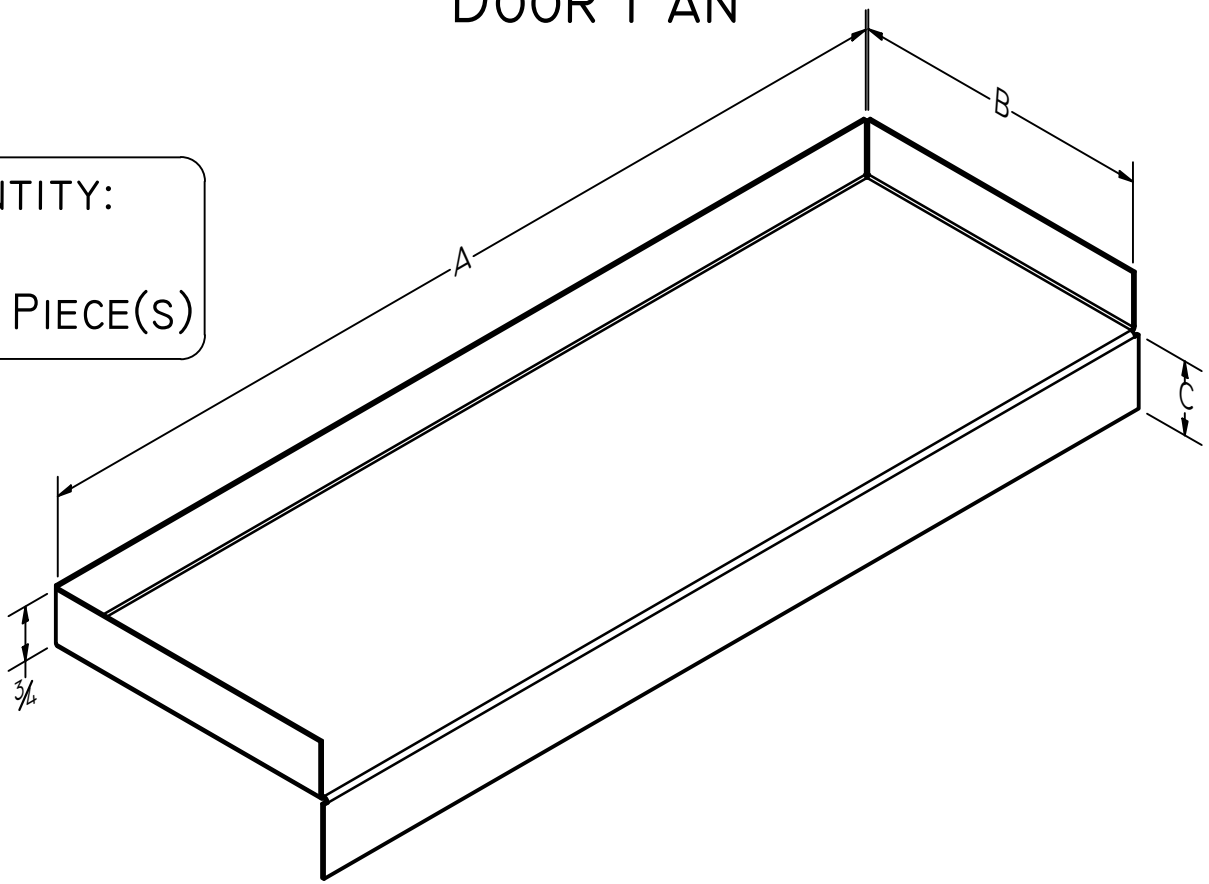
# CATALOG

SHEET  
24 OF 34



# DOOR PAN

QUANTITY:  
 \_\_\_\_\_ PIECE(S)



## FINISH:

- GALVANIZED
- PRE-FINISHED

COLOR: \_\_\_\_\_

- PAINT GRIP
- GALVALUME

OR

- STAINLESS
- ALUMINUM
- COPPER

## DIMENSIONS:

A \_\_\_\_\_

B \_\_\_\_\_

C \_\_\_\_\_

STRETCH OUT:  
 \_\_\_\_\_ IN

## NOTES:

\_\_\_\_\_  
 \_\_\_\_\_  
 \_\_\_\_\_  
 \_\_\_\_\_

## GAUGE:

- 22
- 24
- 26
- 28

**TSC** THE SHEETMETAL COMPANY  
 7380 Fairview Houston, Texas 77041-2106  
 Phone: (713) 983-8777 Fax: (713) 937-4653

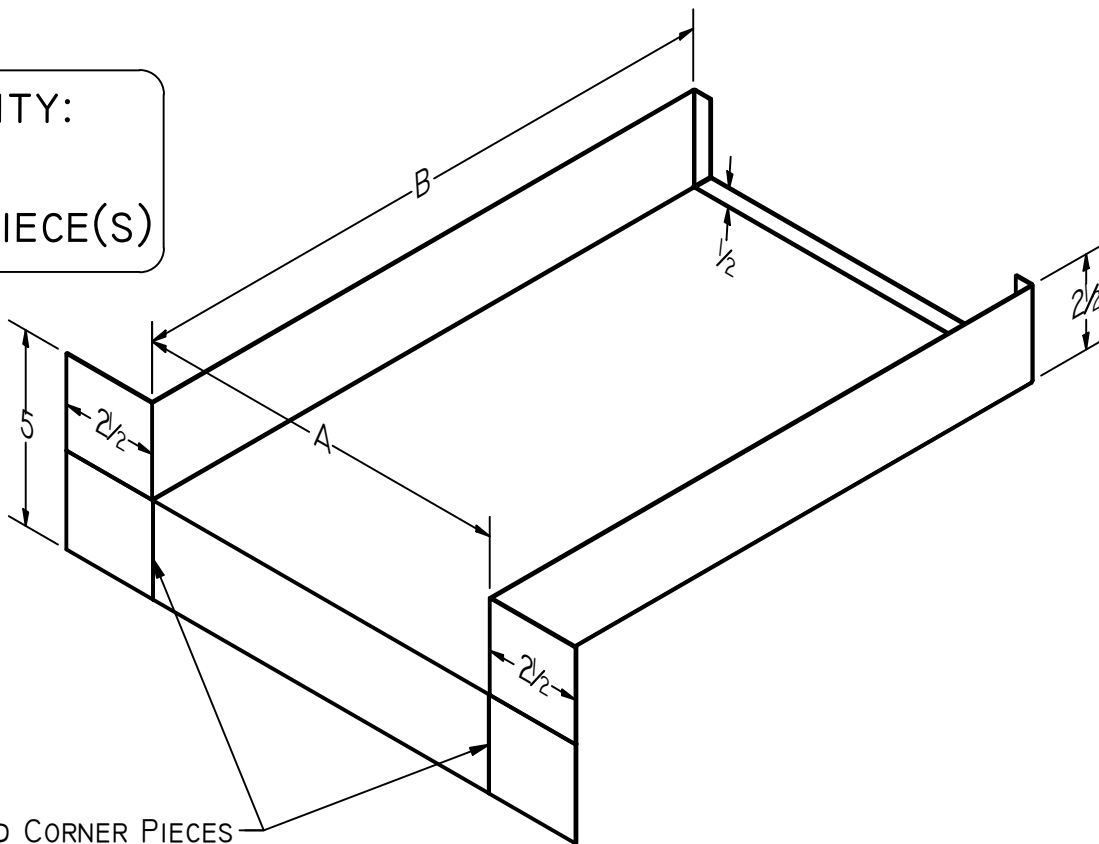
# CATALOG

SHEET  
 25 OF 34

# WINDOW PAN

QUANTITY:

\_\_\_\_ PIECE(S)



SOLDERED CORNER PIECES

## FINISH:

- GALVANIZED
- PRE-FINISHED

COLOR: \_\_\_\_\_

- PAINT GRIP
- GALVALUME

OR

- STAINLESS
- ALUMINUM
- COPPER

## DIMENSIONS:

A \_\_\_\_\_

B \_\_\_\_\_

STRETCH OUT:  
\_\_\_\_\_ IN

## NOTES:

\_\_\_\_\_  
\_\_\_\_\_  
\_\_\_\_\_  
\_\_\_\_\_

## GAUGE:

- 22
- 24
- 26
- 28

**TSC** THE SHEETMETAL COMPANY  
7380 Fairview Houston, Texas 77041-2106  
Phone: (713) 983-8777 Fax: (713) 937-4653

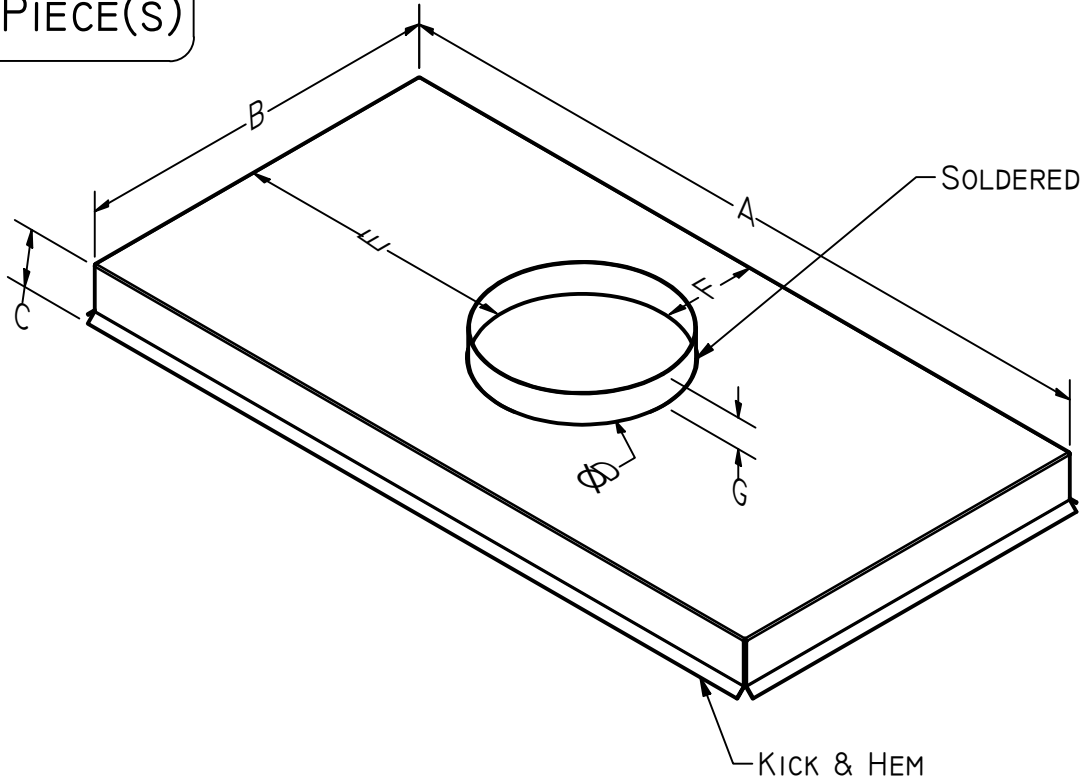
# CATALOG

SHEET  
26 OF 34

# CHIMNEY CAP

QUANTITY:

\_\_\_\_ PIECE(S)



## FINISH:

- GALVANIZED
- PRE-FINISHED

COLOR: \_\_\_\_\_

- PAINT GRIP
- GALVALUME

OR

- STAINLESS
- ALUMINUM
- COPPER

## DIMENSIONS:

A \_\_\_\_\_ E \_\_\_\_\_  
 B \_\_\_\_\_ F \_\_\_\_\_  
 C \_\_\_\_\_ G \_\_\_\_\_  
 D \_\_\_\_\_

## NOTES:

\_\_\_\_\_  
 \_\_\_\_\_  
 \_\_\_\_\_  
 \_\_\_\_\_

## GAUGE:

- 22
- 24
- 26
- 28

**TSC** THE SHEETMETAL COMPANY  
 7380 Fairview Houston, Texas 77041-2106  
 Phone: (713) 983-8777 Fax: (713) 937-4653

# CATALOG

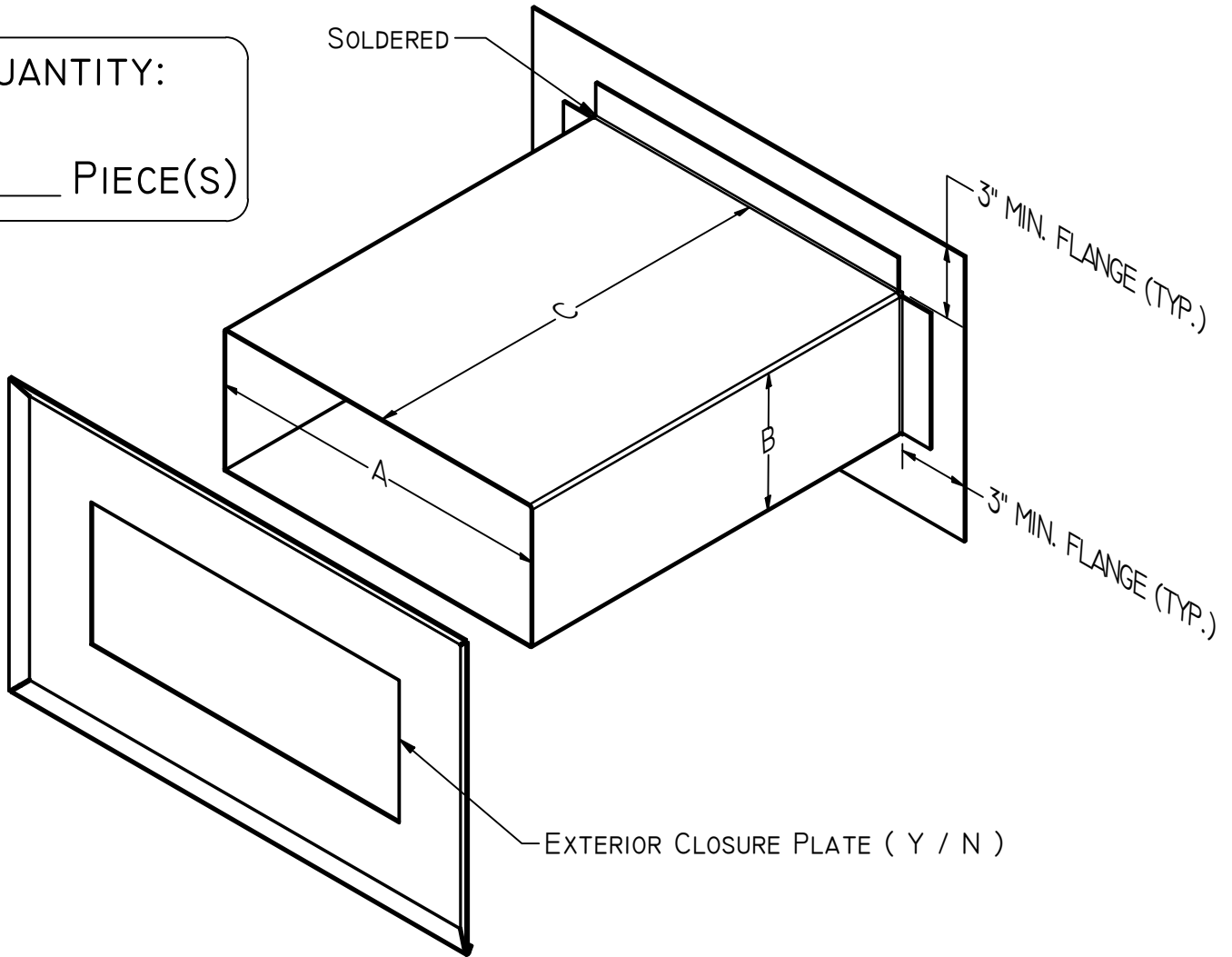
SHEET  
27 OF 34

# OVERFLOW SCUPPER SINGLE PLY

QUANTITY:

\_\_\_\_ PIECE(S)

SOLDERED



EXTERIOR CLOSURE PLATE ( Y / N )

## FINISH:

- GALVANIZED
- PRE-FINISHED

COLOR: \_\_\_\_\_

- PAINT GRIP
- GALVALUME
- TPO/PVC/KEE
- STAINLESS
- ALUMINUM
- COPPER

## DIMENSIONS:

A \_\_\_\_\_ D \_\_\_\_\_

B \_\_\_\_\_ E \_\_\_\_\_

C \_\_\_\_\_

## NOTES:

\_\_\_\_\_  
 \_\_\_\_\_  
 \_\_\_\_\_  
 \_\_\_\_\_

## GAUGE:

- 22
- 24
- 26
- 28

**TSC** THE SHEETMETAL COMPANY  
 7380 Fairview Houston, Texas 77041-2106  
 Phone: (713) 983-8777 Fax: (713) 937-4653

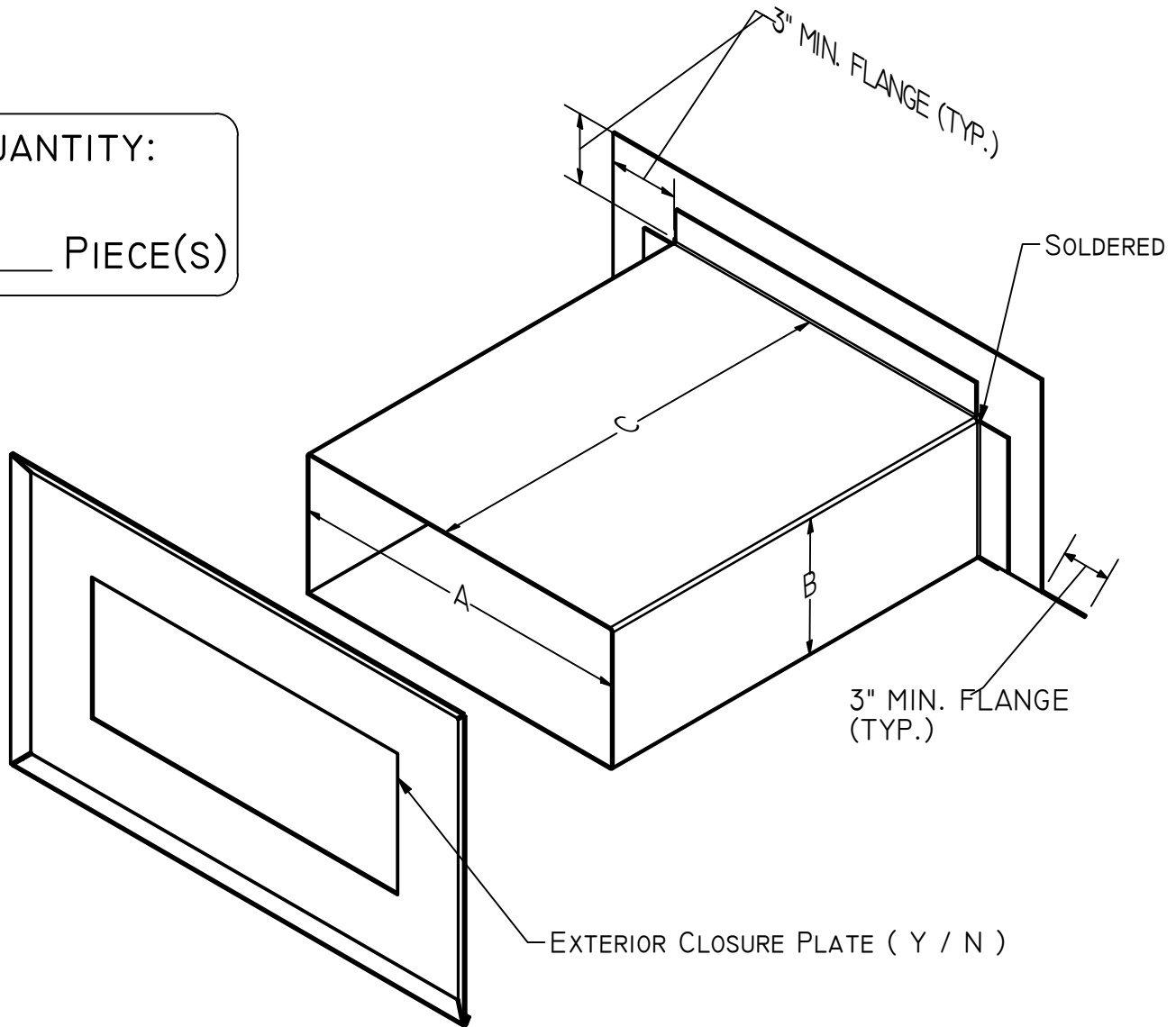
# CATALOG

SHEET  
 28 OF 34

# OVERFLOW SCUPPER MODIFIED/BUR

QUANTITY:

\_\_\_\_ PIECE(S)



FINISH:

- GALVANIZED
- PRE-FINISHED

COLOR: \_\_\_\_\_

- PAINT GRIP
- GALVALUME
- TPO/PVC/KEE
- STAINLESS
- ALUMINUM
- COPPER

DIMENSIONS:

A \_\_\_\_\_ C \_\_\_\_\_  
 B \_\_\_\_\_

NOTES:

\_\_\_\_\_  
 \_\_\_\_\_  
 \_\_\_\_\_  
 \_\_\_\_\_

GAUGE:

- 22
- 24
- 26
- 28

**TSC** THE SHEETMETAL COMPANY  
 7380 Fairview Houston, Texas 77041-2106  
 Phone: (713) 983-8777 Fax: (713) 937-4653

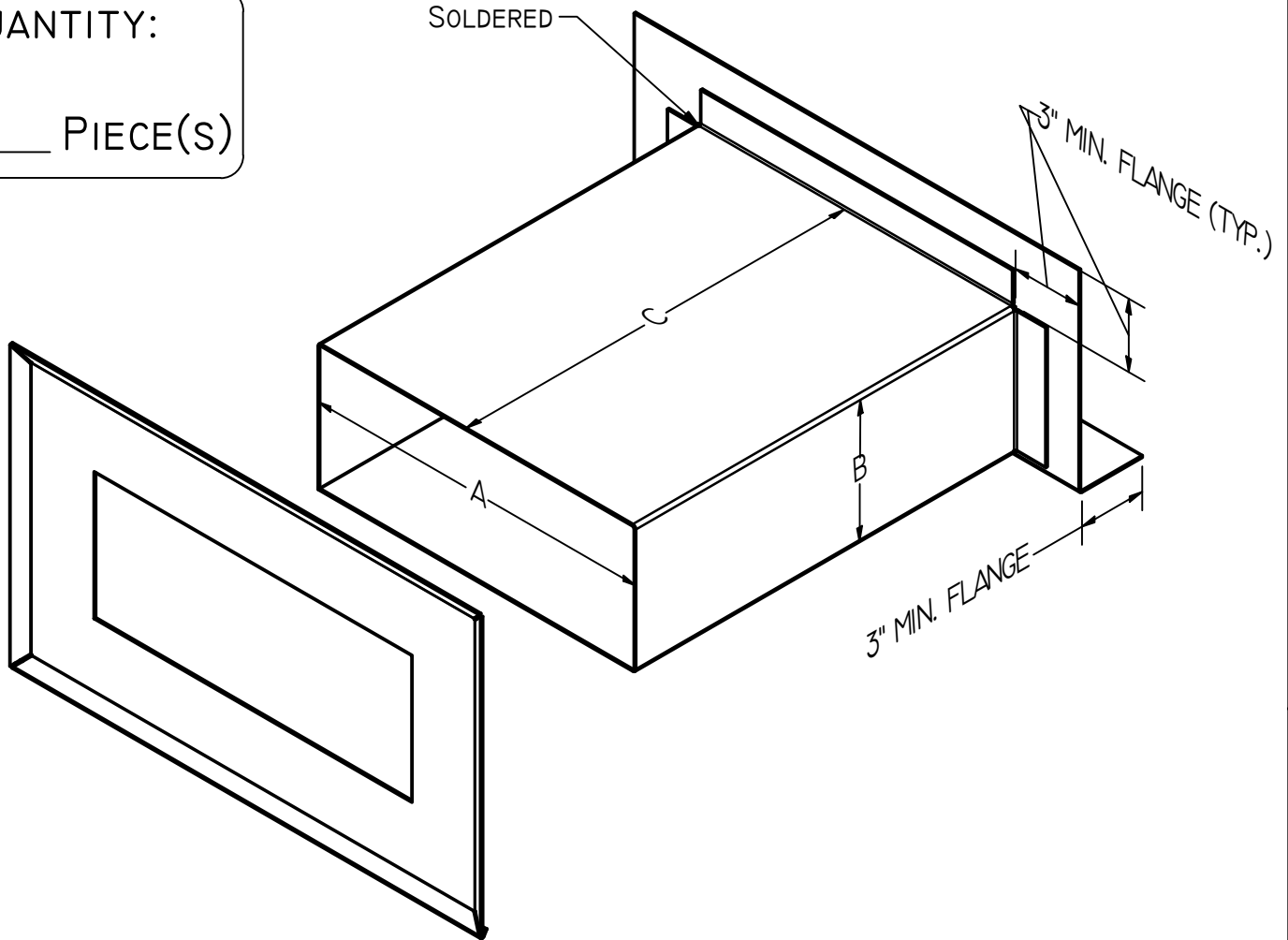
**CATALOG**

SHEET  
 29 OF 34

# THROUGH WALL SCUPPER SINGLE PLY

QUANTITY:

\_\_\_\_ PIECE(S)



FINISH:

- GALVANIZED
- PRE-FINISHED

COLOR: \_\_\_\_\_

- PAINT GRIP
- GALVALUME
- TPO/PVC/KEE
- STAINLESS
- ALUMINUM
- COPPER

DIMENSIONS:

A \_\_\_\_\_ C \_\_\_\_\_  
 B \_\_\_\_\_

NOTES:

\_\_\_\_\_  
 \_\_\_\_\_  
 \_\_\_\_\_  
 \_\_\_\_\_

GAUGE:

- 22
- 24
- 26
- 28

**TSC** THE SHEETMETAL COMPANY  
 7380 Fairview Houston, Texas 77041-2106  
 Phone: (713) 983-8777 Fax: (713) 937-4653

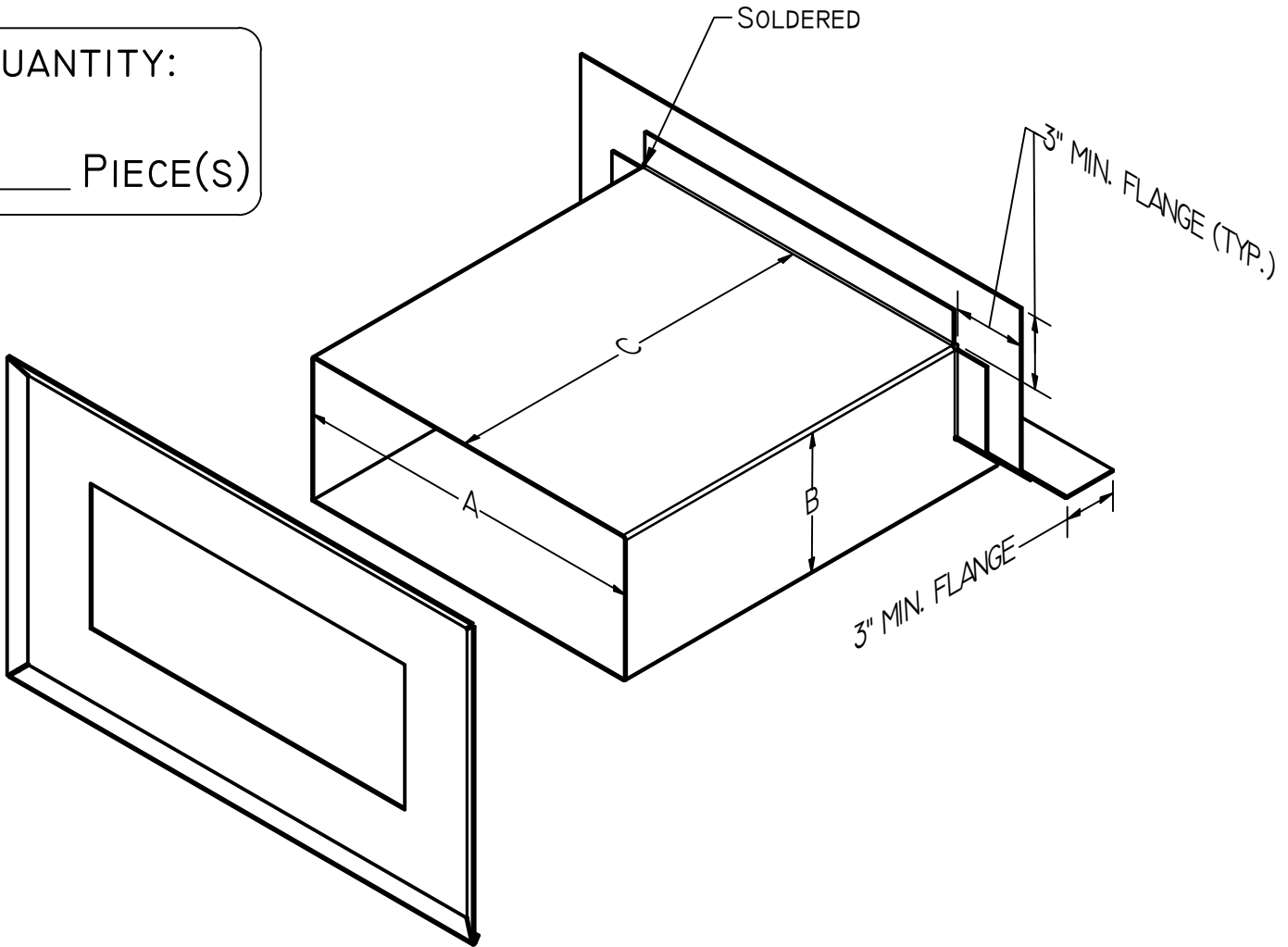
**CATALOG**

SHEET  
 30 OF 34

# THROUGH WALL SCUPPER MODIFIED/BUR

QUANTITY:

\_\_\_\_ PIECE(S)



**FINISH:**

- GALVANIZED
- PRE-FINISHED

COLOR: \_\_\_\_\_

- PAINT GRIP
- GALVALUME
- TPO/PVC/KEE
- STAINLESS
- ALUMINUM
- COPPER

**DIMENSIONS:**

A \_\_\_\_\_ C \_\_\_\_\_

B \_\_\_\_\_

**NOTES:**

\_\_\_\_\_  
 \_\_\_\_\_  
 \_\_\_\_\_  
 \_\_\_\_\_

**GAUGE:**

- 22
- 24
- 26
- 28

**TSC THE SHEETMETAL COMPANY**  
 7380 Fairview Houston, Texas 77041-2106  
 Phone: (713) 983-8777 Fax: (713) 937-4653

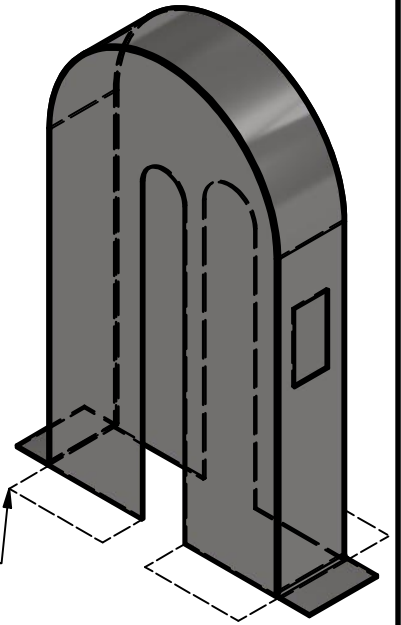
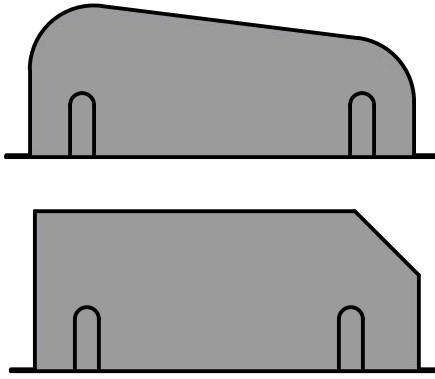
**CATALOG**

SHEET  
 31 OF 34

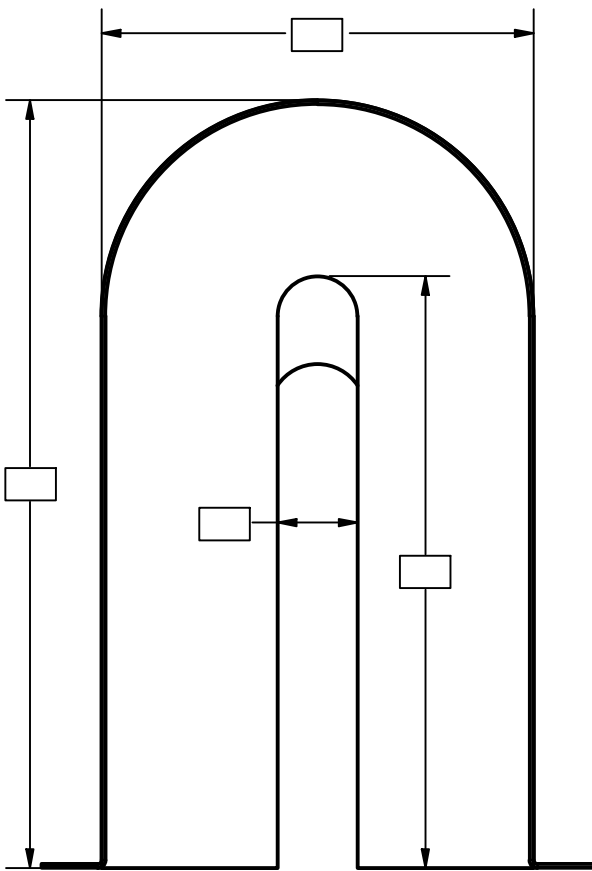
# CUSTOM BELT GUARDS

QUANTITY:

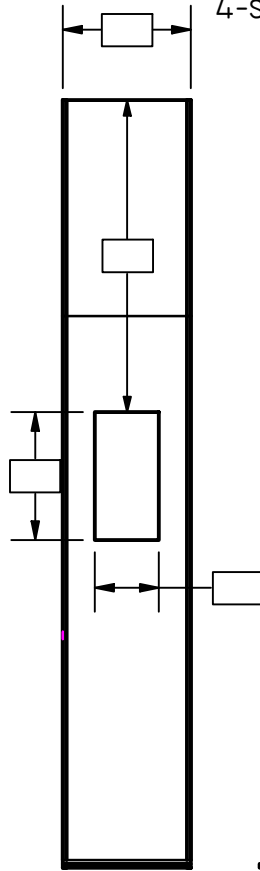
\_\_\_\_ PIECE(S)



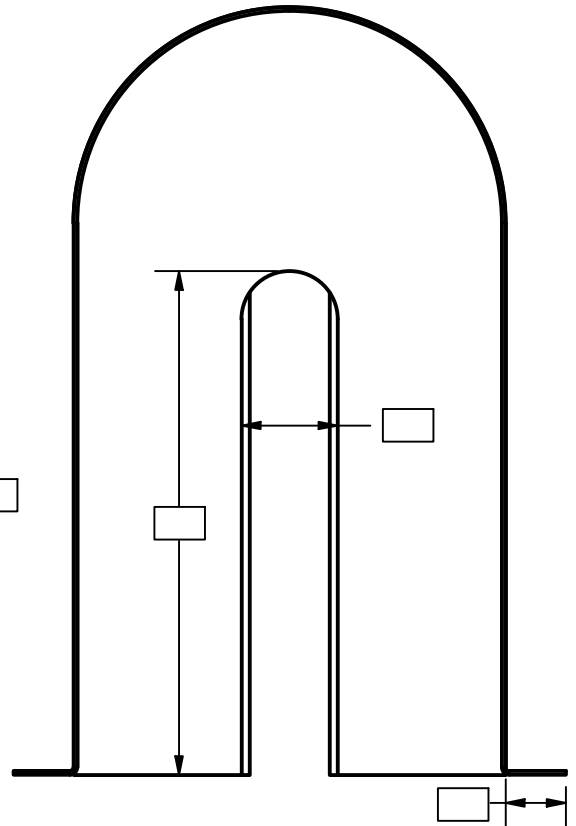
4-SIDED FLANGE  
IF HEIGHT IS  
OVER 30"



FRONT



SIDE  
L / R



BACK

FINISH:

- GALVANIZED
- OTHER

GAUGE:

- 22
- 24

**TSC** THE SHEETMETAL COMPANY  
7380 Fairview Houston, Texas 77041-2106  
Phone: (713) 983-8777 Fax: (713) 937-4653

**CATALOG**

SHEET  
32 OF 34



2 ↓ 1  
BLANK PAGE FOR CUSTOM SHAPES

QUANTITY:

\_\_\_\_ PIECE(S)  
\_\_\_\_ FT. (EACH)

FINISH:

- GALVANIZED
- PRE-FINISHED

COLOR: \_\_\_\_\_

- PAINT GRIP
- GALVALUME
- TPO/PVC/KEE
- STAINLESS
- ALUMINUM
- COPPER

DIMENSIONS:

A \_\_\_\_\_ D \_\_\_\_\_  
B \_\_\_\_\_ E \_\_\_\_\_  
C \_\_\_\_\_ F \_\_\_\_\_

STRETCH OUT:  
\_\_\_\_\_ IN

NOTES:

\_\_\_\_\_  
\_\_\_\_\_  
\_\_\_\_\_  
\_\_\_\_\_

GAUGE:

- 22
- 24
- 26
- 28

**TSC** THE SHEETMETAL COMPANY  
7380 Fairview Houston, Texas 77041-2106  
Phone: (713) 983-8777 Fax: (713) 937-4653

**CATALOG**

SHEET  
33 OF 34



# Gutter Strap Sizing

Girth in	Galvanized Steel Coated in	Copper or Brass in	Aluminum in	Stainless Steel in
up to 20	1/8 x 1	1/8 x 1	3/16 x 1	1/8 x 1
20 to 24	1/4 x 1-1/2	1/4 x 1-1/2	1/4 x 2	1/8 x 2

# Gravel Stop and Cap Fascia Design

Metal Thickness (Nom.)				Joint (J) for Fascia Dimension of							
Stainless in.	Aluminum in.	Copper oz.	Steel ga.	9" Max.				Over 9" to 12"			
0.015	0.025	12	26	J 1,2,4,5,9,11,11A,12				J 8-12			
0.018	0.032	16	24	J 1,2,4,5,9,11,11A,12				J 8-12			
0.023	0.040	20	22	J 1,2,4,5,9,11,11A,12				J 8-12			
0.029	0.063	24	20	J 1, 2, 4, 5, 9, 11A, 12				J 1-11, 11A, 12			
0.035	0.080	32	18	J 2, 4, 5, 11A, 12				J 1-7, 10, 11A,12			
0.048	0.100	48	16	J 2, 4, 5, 11A, 12				J 1-7, 10, 11A,12			
0.059	0.125		14	J 2, 4, 5, 11A, 12				J 2, 4, 5, 12			
0.075			12	J 2, 4, 5, 11A, 12				J 2, 4, 5, 12			
0.105			10	J 2, 4, 5, 11A, 12				J 2, 4, 5, 12			
J1	J2	J3	J4	J5	J6	J7	J8	J9	J10	J11	J11A
4" LAP	BUTT + BACKUP PLATE	4" JOGGLE (OFFSET FLUSH)	BUTT + COVER PLATE	6"COVER + 12" BACKUP PLATES	T & G	T & G FLUSH	STANDING SEAM	1" DRIVE	3/4" HOOK AND SEAM	3/4" INSIDE SLIP (POCKET)	J12 DOUBLE S

# Coping Design

Metal Thickness (Nom.)				Joint (J) for Top Width (W <sub>T</sub> )				Joint (J) for Fascia Dimension (W <sub>S</sub> )			
Stainless in.	Aluminum in.	Copper oz.	Steel (Galv) ga.	6" Max.	Over 6" to 12"	Over 12" to 18"	Over 18"	9" Max.	Over 9" to 12"		
0.015	0.025	12	26	ALL	ALL	NONE	NONE	ALL	J 8-12		
0.018	0.032	16	24	ALL	ALL	5-12	NONE	ALL	J 8-12		
0.023	0.040	20	22	ALL	ALL	5-12	5-9, 12	ALL	J 8-12		
0.029	0.063	24	20	1-10, 12	1-10, 12	1-10, 12	5-9, 12	J 1-7, 9,11,11A,12	J 1-7, 9-12		
0.035	0.080	32	18	1-7, 12	1-7, 12	1-7, 12	5-7, 12	J 1-7, 11A, 12	J 1-7, 10-12		
0.048	0.100	48	16	1-7, 12	1-7, 12	1-7, 12	5-7, 12	J 1-7, 11A, 12	J 1-7, 10-12		
0.059	0.125		14	2, 4, 5, 12	2, 4, 5, 12	2, 4, 5, 12	5-7, 12	J 2, 4, 5, 11A,12	J 2, 4, 5, 12		
0.075			12	2, 4, 12	2, 4, 12	2, 4, 12	5-7, 12	J 2, 4, 5, 11A,12	J 2, 3, 5, 12		
0.105			10	2, 4, 12	2, 4, 12	2, 4, 12	5-7, 12	J 2, 4, 5, 11A,12	J 2, 4, 5, 12		
J1	J2	J3	J4	J5	J6	J7	J8	J9	J10	J11	J11A
4" LAP	BUTT + BACKUP PLATE	4" JOGGLE (OFFSET FLUSH)	BUTT + COVER PLATE	6"COVER + 12" BACKUP PLATES	T & G	T & G FLUSH	STANDING SEAM	1" DRIVE	3/4" HOOK AND SEAM	3/4" INSIDE SLIP (POCKET)	J12 DOUBLE S

